



## Waterproof LED Power Supply Cable Joiner

# CJ04 series



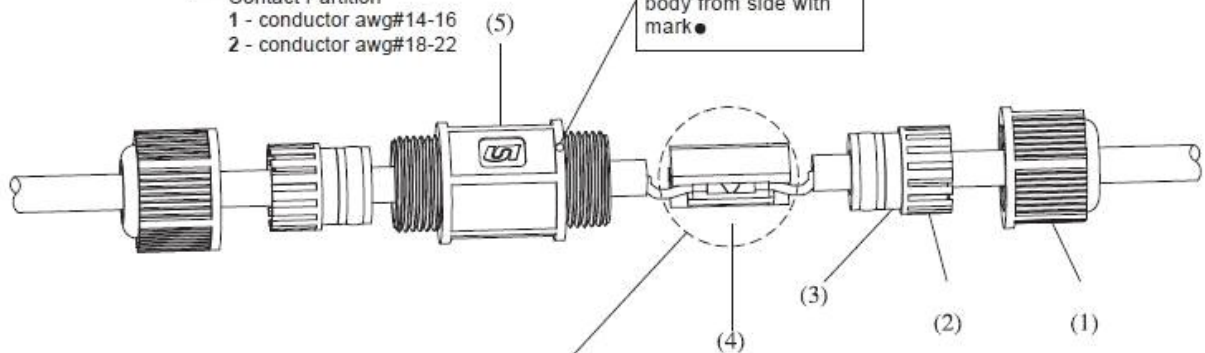
### Features:

- Plastic part corrosion resistant
- Sealed waterproof junction box, 4 wires max.
- IP68 rated water depth 1.5meter 24 hours rated
- Field installable, easy operation

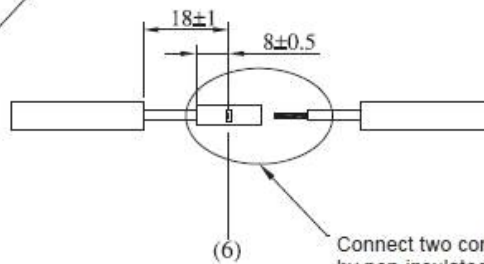
Part No: CJ04-X

Contact Partition  
1 - conductor awg#14-16  
2 - conductor awg#18-22

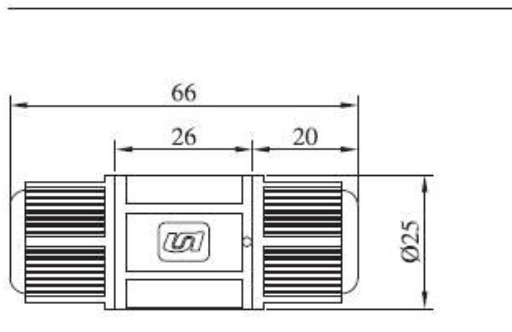
Please note  
contact partition must  
pass through main  
body from side with  
mark ●



Cable Preparation



RoHS  
Lead Free  
Tolerance  $\pm 0.5$  Unless Specific



For use on DC Output Cable only!